

FILLING THE GAPS IN SAFETY

RetroTREAD is a unique clamping system designed to clip to your existing grid mesh floor allowing you to cover existing mesh with a variety of slip resistant materials of your choice to prevent tools and small objects falling through the floor grating.

Designed to *AS1657-1992 Fixed platforms, walkway, stairways and ladders - Design, construction and installation.*

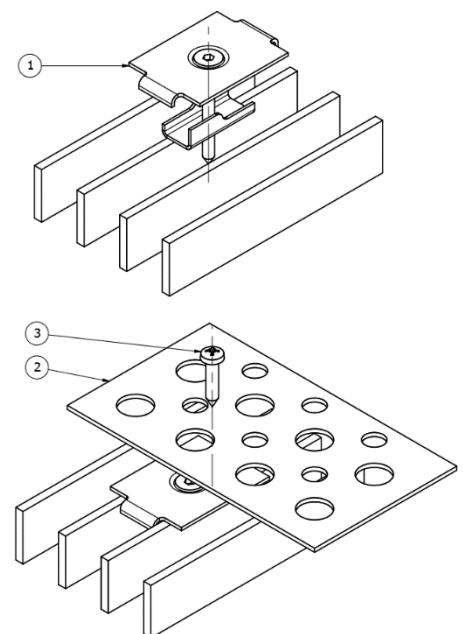
Barrier Mesh is quickly secured to the RetroTREAD clip, barricading areas above and below each platform level, preventing risk of injury from falling objects and production material.

RetroTREAD™ has been specifically designed for industrial applications and will provide lasting safety in harsh environments, removing the need for temporary drop mats.

RetroSTEP	
ITEM	SPECIFICATION
1	RetroTREAD Floor Sheet
Material	Safe T Perf
Dimension	2440x1220x2.5xU14HD
Finish	Hot Dip Galvanised to AS4680 Table 1
Weight	7.3kg/m ²
2	Top Floor Clip
Material	Hot Rolled Carbon Steel
Style	TC-AC325
Finish	Hot Dip Galvanised to AS4680 Table 1
Weight	0.05kg
3	Bottom Floor Clip
Material	Hot Rolled Carbon Steel
Style	BC-AC325
Finish	Hot Dip Galvanised to AS4680 Table 1
Weight	0.019kg
4	Wafer Head Screw
Style	PHILIPS DRIVE #3
Size	12Gx24x32 Class 4 AS3566.1
Weight	0.7kg/100
5	Bugle Head Batten Screw
Style	Hex Drive
Size	14Gx10x65 Class 4 AS3566.1
Weight	1.2kg/100

FEATURES

- Designed to fit existing mesh flooring
- FAST, SAFE & easy to install
- Economical
- Retro fitted to existing grid mesh
- No drafting required
- No site surface preparation
- No Site welding or hot works



RetroTREAD™ provides complete coverage across grid mesh openings.

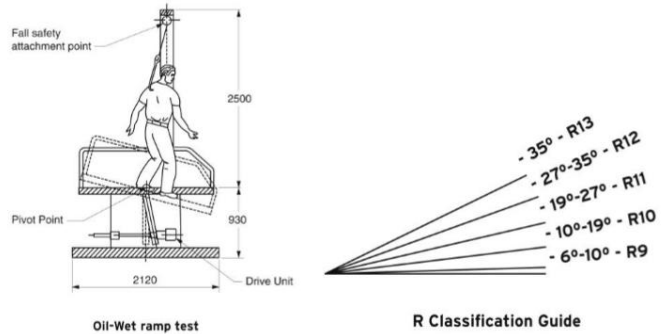
RetroTREAD flooring has been tested in accordance with the latest AS/NZ Standard: 4586

The following results relate to the separate testing methods;

- Wet pendulum
- Oil wet ramp

The purpose of these two test is to judge slip resistance

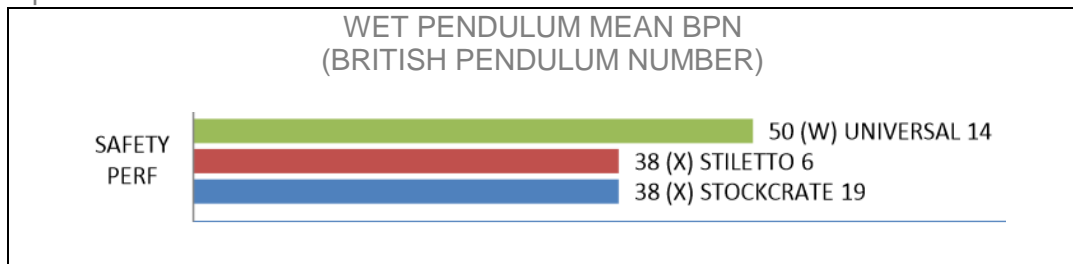
Oil Wet Ramp Test



Safe T Perf Product	Mean overall Acceptance Angle	Slip Resistance Assessment Group
UNIVERSAL 14 SAFETY PERF	37.4	R13
STILETTO 6 SAFETY PERF	35.4	R13
STOCKCRATE 19 SAFETY PERF	27.3	R12

Products rated in the R13 assessment group offer superior slip resistance. Mean overall acceptance angle refers to the maximum angle achieved while still providing suitable slip resistance.

The wet pendulum test seeks to assess the friction characteristics of each profile, by determining the wet dynamic friction between the tested profile and the slider of a pendulum.



Therefore, products that achieved a higher BPN provide greater slip resistance, i.e. the surface has minimal contribution to the risk of slipping when wet

Pendulum Mean BPN	AS/NZS 4586 Classification	AS/NZS 4586 Contribution of the floor surface to the risk of slipping when wet
Four S Slider		
>54	V	Very Low
45-54	W	Low
35-44	X	Moderate
25-34	Y	High

Classification examples

W = swimming pool surrounds and communal wet areas

X =undercover concourse areas / shop and office wet areas