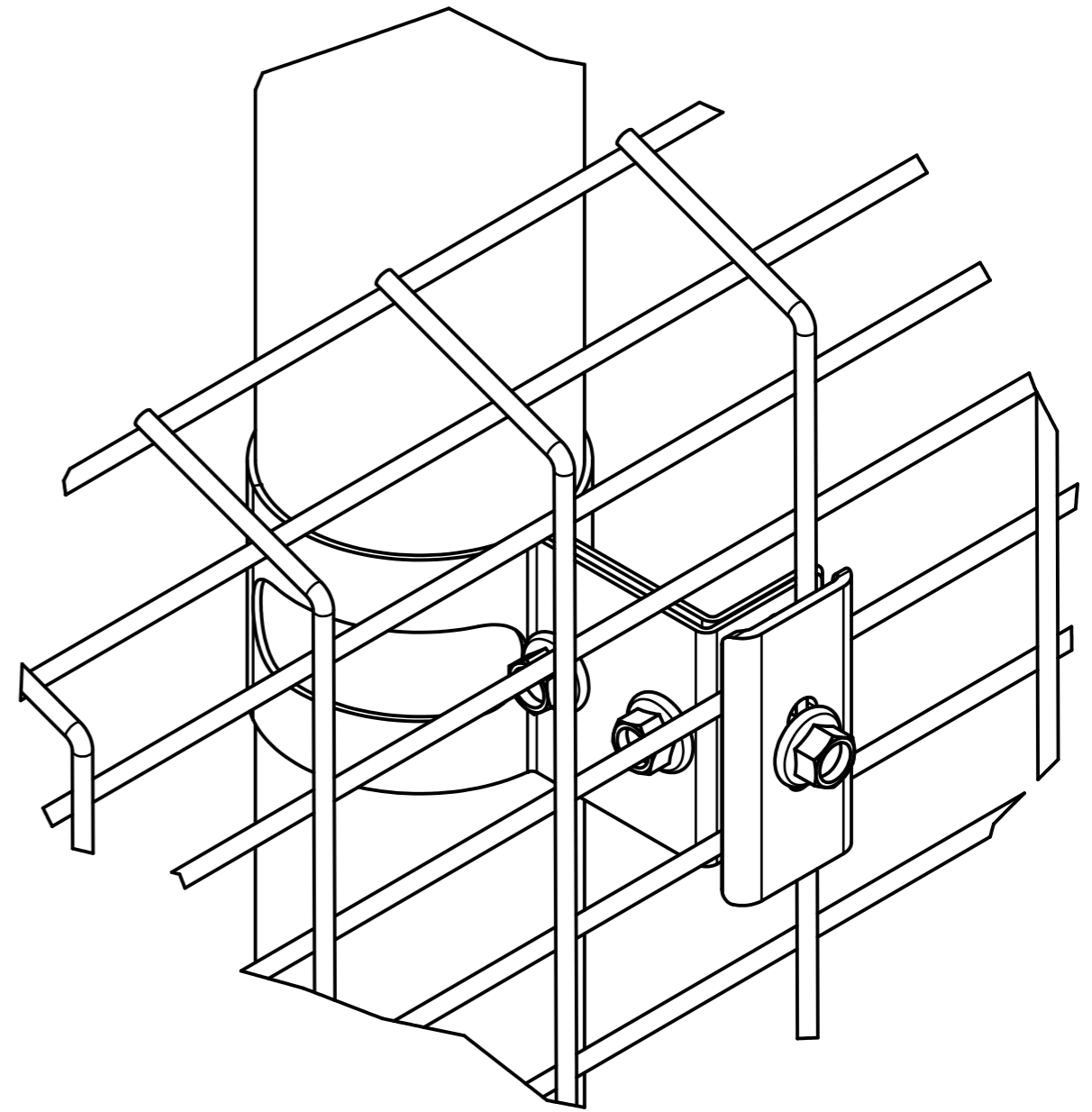


ISO VIEW

PANEL SECURING BUTTON
OFF VERTICAL WIRE



ISO VIEW

PANEL SECURING BUTTON
ON VERTICAL WIRE

NOTES:

1. QUANTITIES LISTED ARE PER CLIP ASSEMBLY.

PARTS LIST			
ITEM	QTY	PART NUMBER	DESCRIPTION
1	1	P755x2400 / P555x2400	Panel Horz / Panel Incline
2	1	RGC-D48	Stanchion Clamp
3	4	AS3566.1	Hex Washer Head Screw 12Gx14x20 Class 3
4	1	RGR-1434	Panel Securing Button

DRAWN pooyendyk	4/12/2011
CHECKED andrew crothers	4/12/2011
QA sim noack	4/12/2011
MFG	
APPROVED andrew crothers	4/12/2011

Pro3 Safety Copyright (c) 2011
Filling the gaps in Safety

TITLE
PANEL STANCHION MOUNT ASSY.

SIZE A3	DWG NO PM-RGC-D48	REV A
SCALE	SHEET 1 OF 1	