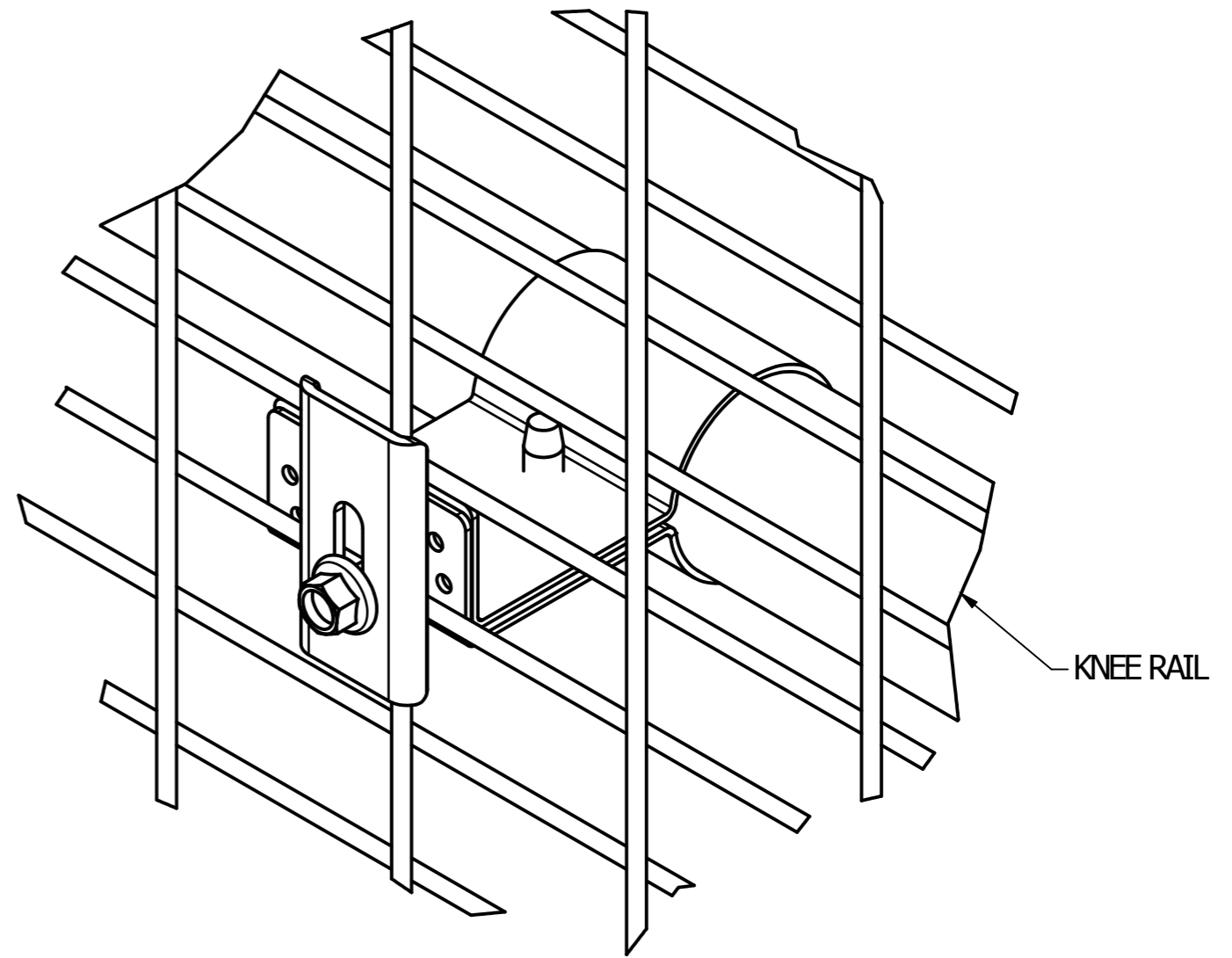


ISO VIEW

PANEL SECURING BUTTON
OFF VERTICAL WIRE



ISO VIEW

PANEL SECURING BUTTON
ON VERTICAL WIRE

NOTES:

1. INSTALL 1 CLIP ASSEMBLY MID WAY ALONG KNEE RAIL BETWEEN ADJACENT PAIRS OF STANCHIONS.
2. QUANTITIES LISTED ARE PER CLIP ASSEMBLY.

PARTS LIST			
ITEM	QTY	PART NUMBER	DESCRIPTION
1	1	P755x2400 / P555x2400	Panel Horz / Panel Incline
2	1	RGC-D34	Kneerail Clamp
3	4	AS3566.1	Hex Washer Head Screw 12Gx14x20 Class 3
4	1	RGR-1434	Panel Securing Button

DRAWN pooyendyk	4/12/2011	Pro³ Safety Filling the gaps in Safety	Copyright (c) 2011	
CHECKED andrew crothers	4/12/2011		TITLE	
QA simn noack	4/12/2011	PANEL KNEERAIL MOUNT ASSY.		
MFG				
APPROVED andrew crothers	4/12/2011	SIZE A3	DWG NO PM-RGC-D34	REV A
		SCALE	SHEET 1 OF 1	