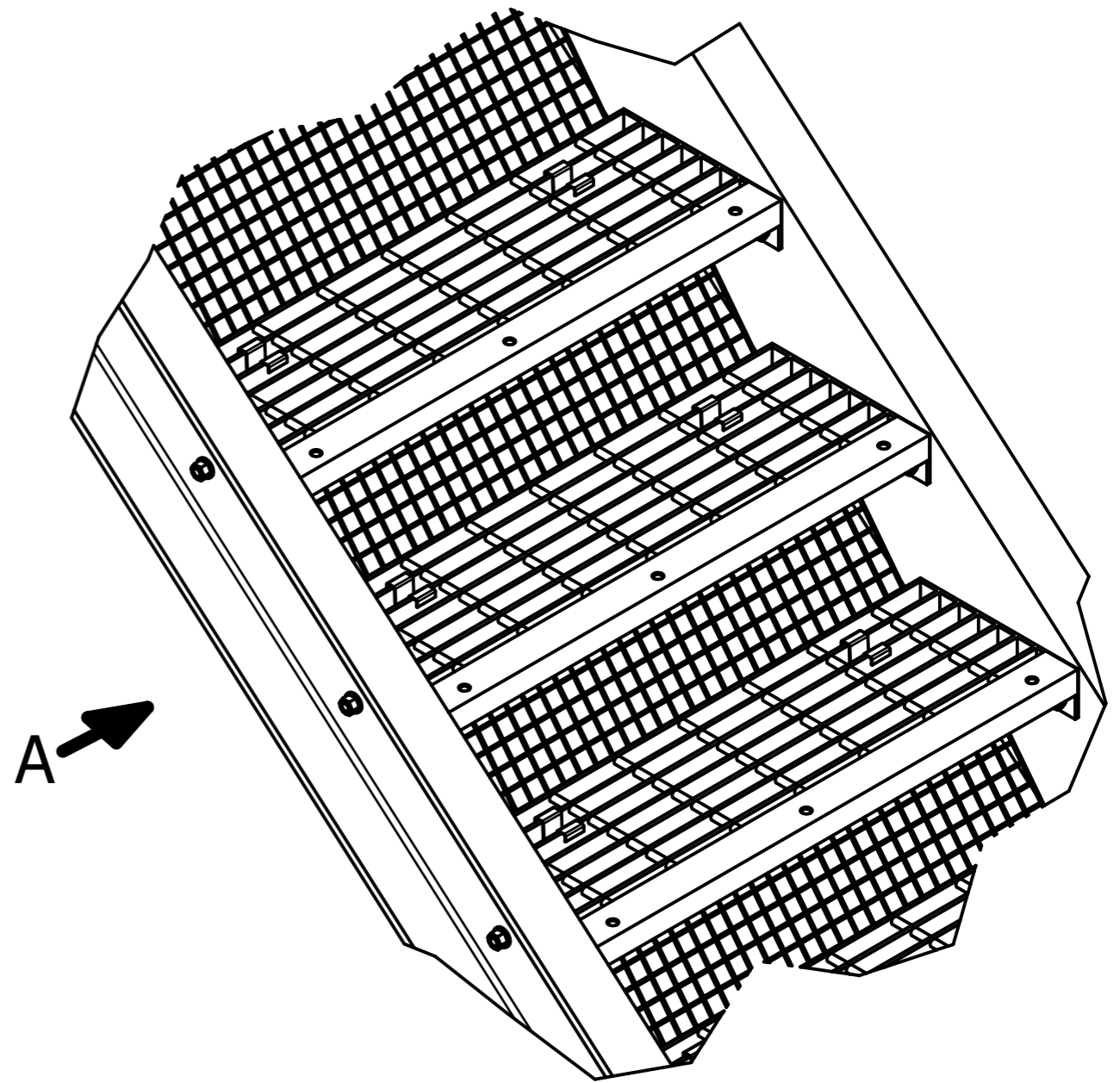
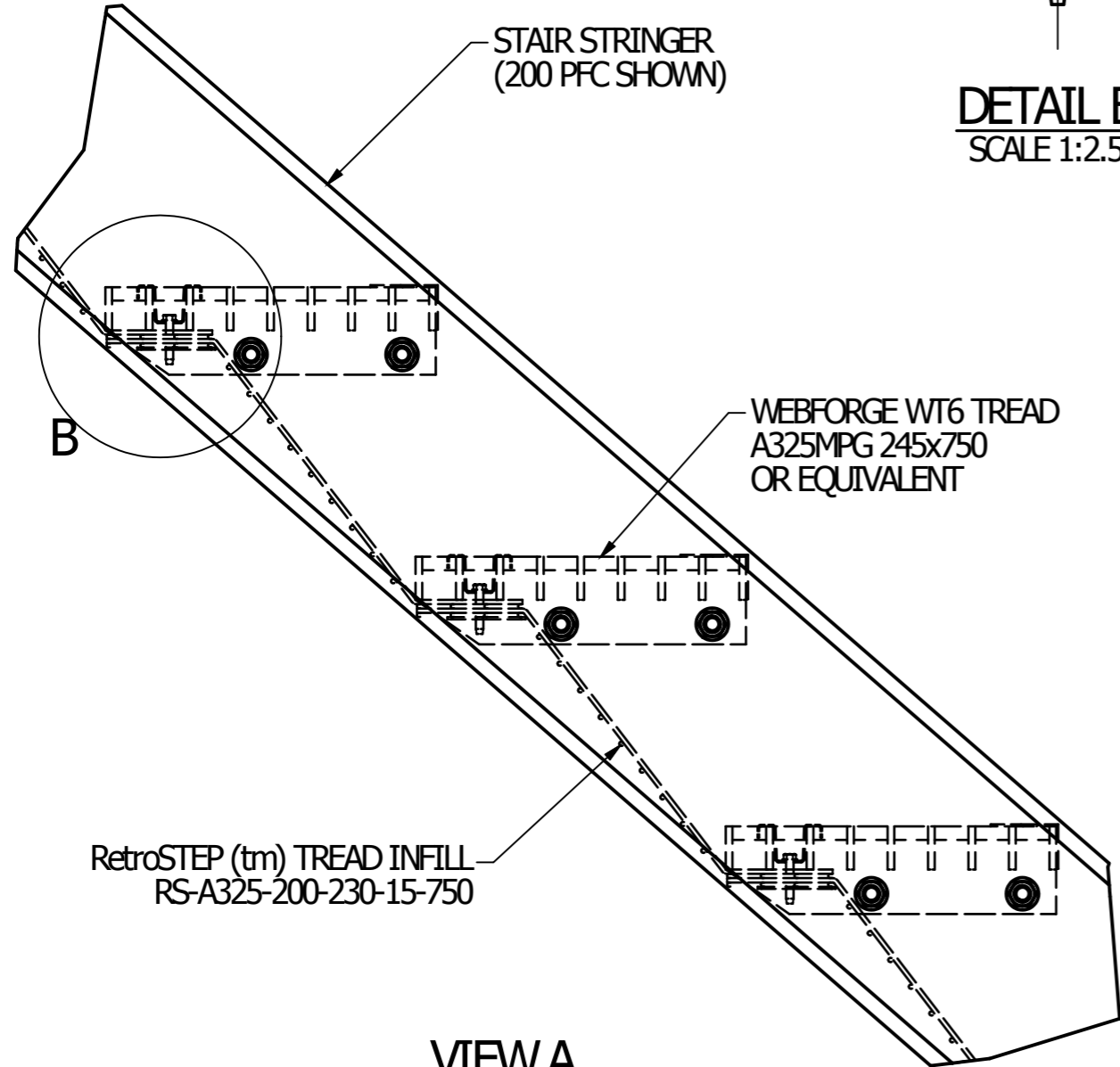
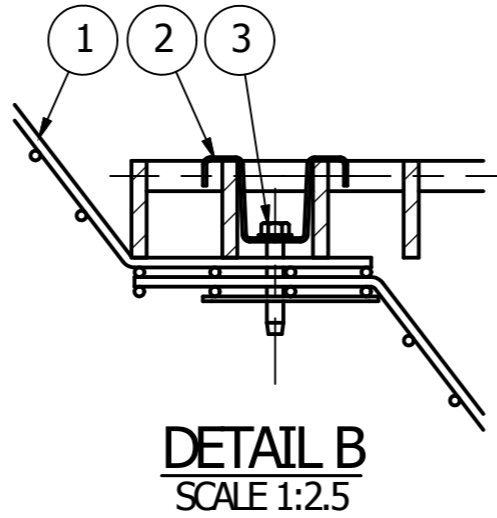


PARTS LIST			
ITEM	QTY	PART NUMBER	DESCRIPTION
1	1	RS-A325-200-230-15-750	RetroSTEP (tm)
2	2	RSC-A325	RetroSTEP Stair Tread Clip
3	2	12Gx14x30	Hex Washer Head Screw AS3566.1 Class 3

NOTES:

1. TYPICAL ASSEMBLY SHOWN. WIDER TREADS MAY BE SUPPLIED WITH ADDITIONAL CLIPS.
2. FIRST & LAST TREAD OF STAIRWAY MAY NEED TO BE TRIMMED TO CLEAR PLATFORM STRINGER/STRUCTURE. INSTALLER TO TRIM RetroSTEP & SECURE AS REQUIRED.



DRAWN	30/05/2012	<b>Pro3 Safety</b> Filling the gaps in Safety	Copyright (c) 2012-2013	
P.OOYENDYK				
CHECKED	30/05/2012	TITLE	<b>RetroSTEP (tm) GENERAL ARRANGEMENT</b>	
Andrew Crothers				
QA	30/05/2012			
Simon Noack	30/05/2012	SIZE	DWG NO	REV
MFG		<b>A3</b>	<b>GA-05</b>	<b>B</b>
APPROVED	30/05/2012	SCALE	SHEET 1 OF 1	
Andrew Crothers				