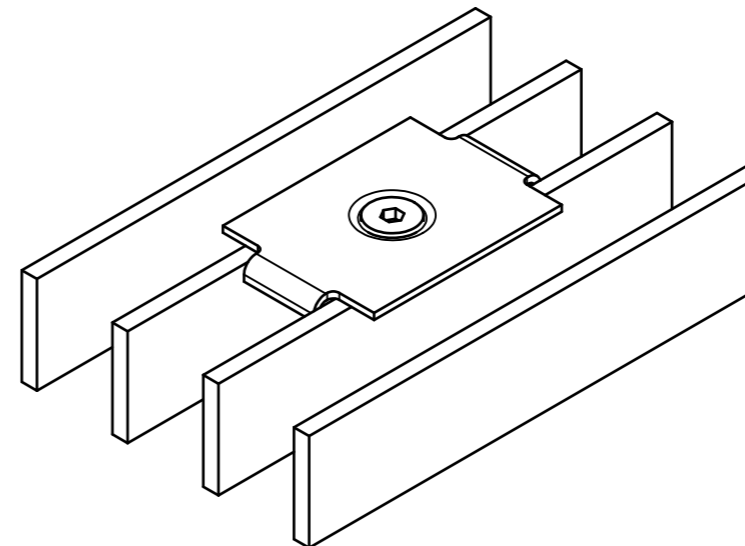
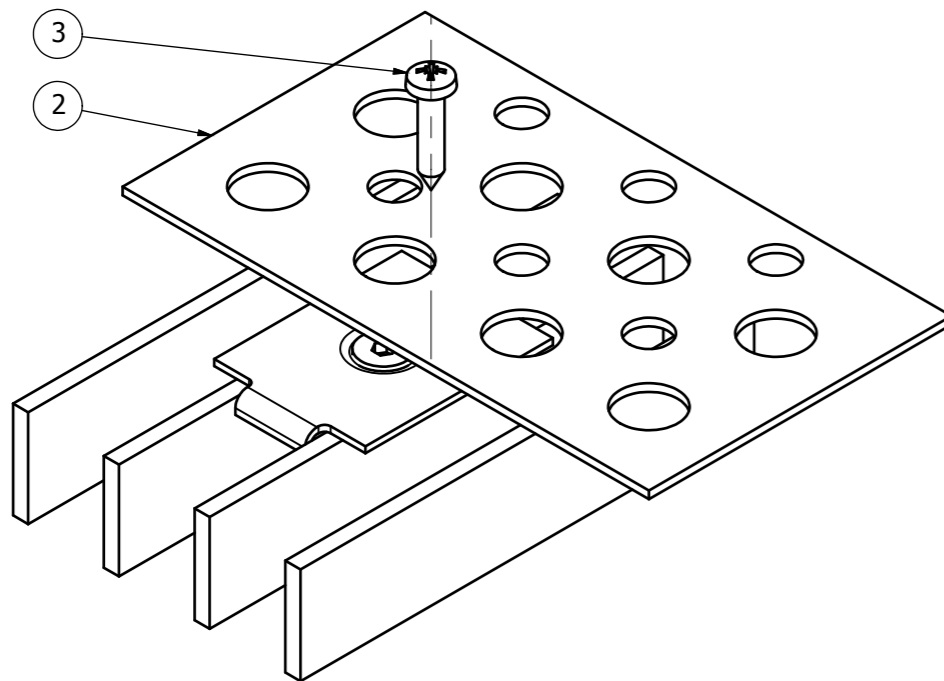


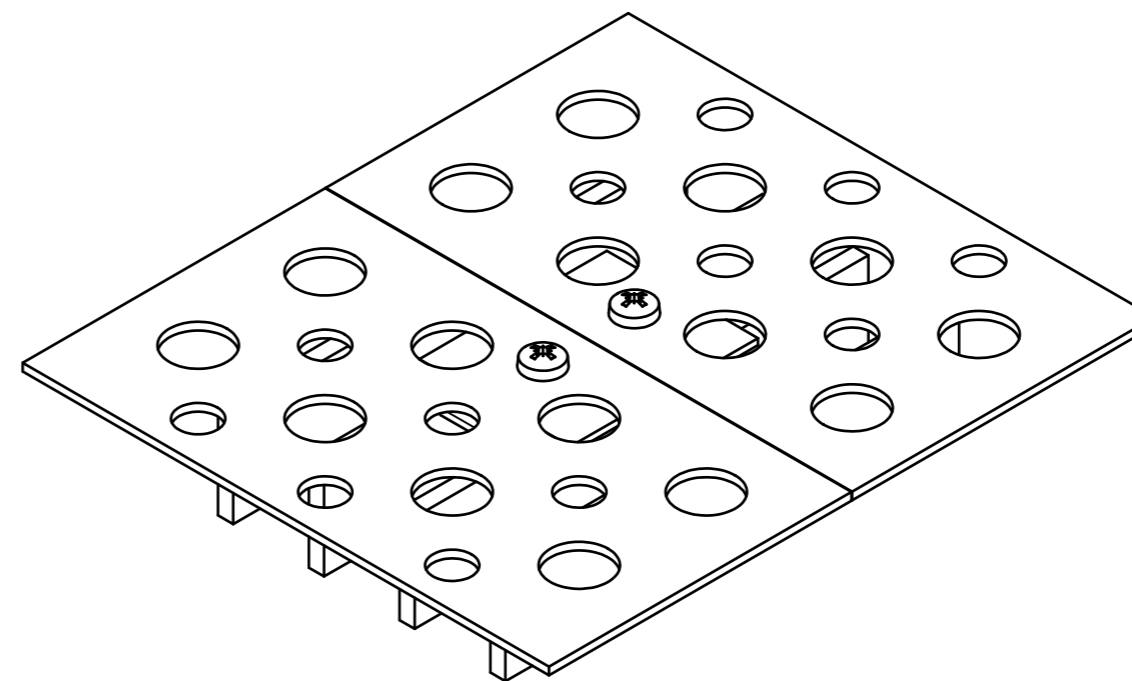
1. PLACE CLIP
600mm GRID
(600mm MAX BETWEEN CLIPS)



2. TIGHTEN CLIP
TORQUE SCREW TO 0.6 ± 0.2 Nm



3. PLACE 1st RetroSTEP (tm) SHEET
ABUTTED SHEETS SHOWN
(SINGLE SHEET SIMILAR - FULLY COVERS CLIP)
POSITION & DRIVE IN WAFER HEAD SCREW



4. PLACE 2nd RetroSTEP (tm) SHEET
ABUTTED SHEETS SHOWN
POSITION & DRIVE IN WAFER HEAD SCREW

PARTS LIST			
ITEM	QTY	PART NUMBER	DESCRIPTION
1	1	FC-AC325	Floor Clip
2	2	2440x1220x2.5xU14HDG	RetroTREAD (tm) FLOOR SHEET
3	2	AS3566.1	Wafer Head Screw 12Gx14x32 Class 4

DRAWN P.OOYENDYK	5/01/2012
CHECKED Andrew Grothers	5/01/2012
QA Simon Noack	5/01/2012
MFG	
APPROVED Andrew Grothers	5/01/2012

Pro3 Safety Copyright (c) 2012-2013
Filling the gaps in Safety

TITLE
RetroTREAD (tm) GENERAL ARRANGEMENT

SIZE
A2

DWG NO
GA-04

REV
A

SCALE
SHEET 2 OF 2